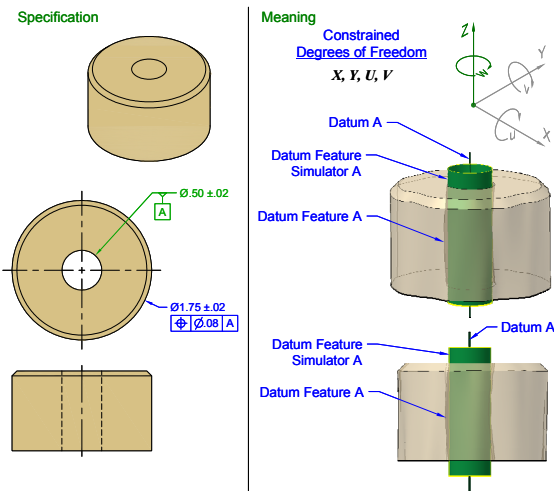


## Our Approach



Leading-Edge Training Materials

We are committed to providing relevant and easy-to-understand training and materials.

Our training courses are coordinated with our books and reference materials, which represent the latest thinking on the subjects.

We combine theoretical and mathematical rigor with practical examples and approaches culled from many years of experience.

We consult with clients worldwide to use GD&T and tolerance analysis effectively, define their products and processes optimally, and help them implement 3D model-based definition in a model-based enterprise.

Our goal is to help you and your staff compete in the competitive global economy. We want you to understand the problems you face and to provide useful tools to help you solve these problems optimally.



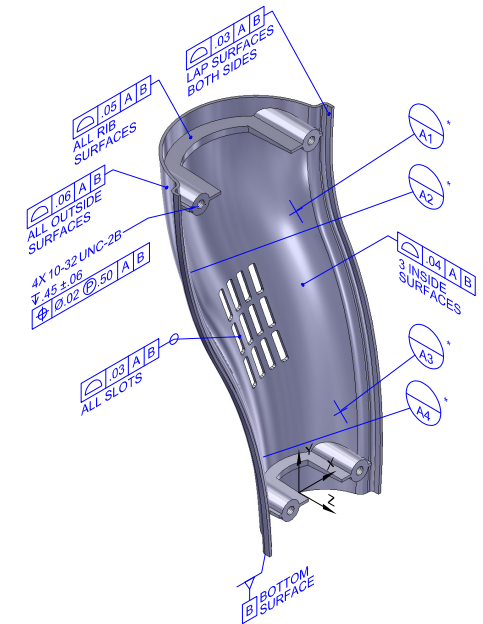
Advanced Dimensional Management LLC

16004 SW Tualatin-Sherwood Rd. #163  
Sherwood, Oregon, USA 97140

Contact: Bryan R. Fischer  
Phone: 1.503.625.2480  
Email: [contact@advdm.com](mailto:contact@advdm.com)  
Website: [www.advdm.com](http://www.advdm.com)



Advanced Dimensional Management LLC



**Geometric Dimensioning  
& Tolerancing – GD&T**

**Tolerance Stackup and  
Tolerance Analysis**

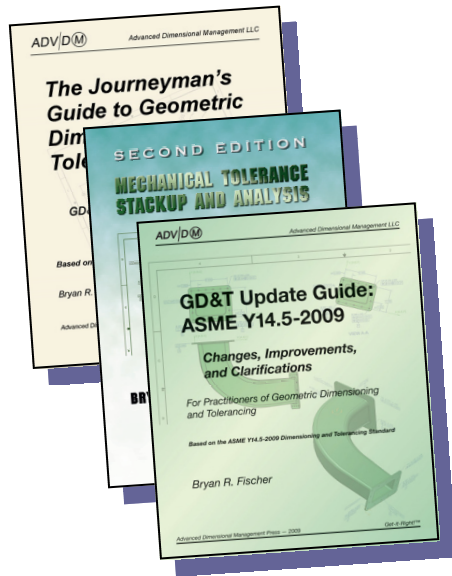
**3D Model-Based Enterprise  
MBD/MBE Implementation**

**Dimensional Management**

**Design, Model and  
Drawing Quality**

**Training & Consulting**

**Phone: 1.503.625.2480**



Leading-Edge Books and Materials

## Who We Are

Advanced Dimensional Management LLC offers leading-edge Training and Consulting in Geometric Dimensioning and Tolerancing (GD&T), Tolerance Analysis, Dimensional Management, 3D Model-Based Definition and Model-Based Enterprise, Design Quality and related topics to companies worldwide.

Bryan R. Fischer is an internationally recognized author, expert, ASME Certified Senior Level GD&T Professional and a member of many international ASME and ISO standards committees involved with GD&T, 3D processes, STEP and other engineering standards. Bryan has written many books on GD&T, Tolerance Analysis, 3D MBD and Engineering Standards.

We are dedicated to helping you improve your designs, your processes, and your bottom line.

## Our Products and Services

Offering products and services related to GD&T, Tolerance Analysis, Dimensioning and Tolerancing, 3D Model-Based Implementation [3D MBD/3D MBE] (ASME Y14.41, ISO 16792), Engineering Standards, Quality and Dimensional Management.

### Services

- **Training Courses**  
Standard & Customized Content
  - ASME- or ISO-Based Training Series
  - GD&T &  $\pm$  Dimensioning & Tolerancing
  - Tolerance Stackup and Tolerance Analysis GD&T-Based or  $\pm$  only
  - Functional Dimensioning & Tolerancing
  - GD&T Certification Preparation
  - 3D Model-Based Implementation – 3D MBD/3D MBE per ASME Y14.41, ISO 16792
  - Dimensional Management
  - Drawing, Modeling & Design Standards
  - Comparison of ISO & ASME Standards
  - Design, Model & Drawing Quality
  - Understanding Drawings & Models
- **Consulting Services**
  - GD&T Application, Interpretation, Development & Optimization
  - Dimensional Management Services
  - Variation Management Services
  - Interface Control & Management
  - Interchangeability Studies
  - Tolerance Stackups & Tolerance Analysis
  - Inspection Processes, Gages & Fixtures
  - Dimensioning & Tolerancing Legal Issues
  - Drawing, Model & Design Quality Checking

### Products

- **Training & Reference Manuals & Workbooks**
  - *The Journeyman's Guide to Geometric Dimensioning & Tolerancing*
  - *GD&T Update Guide: ASME Y14.5-2009* ISBN 0-9843153-0-6
  - *GD&T Visual Glossary with At-A-Glance Sheets™*
  - *Mechanical Tolerance Stackup and Analysis* CRC Press, ISBN 0-8247-5379-8
  - *Tolerance Stackups, Tolerance Analysis & Tolerancing: Plus and Minus Edition*
  - *Tolerance Stackup Workbooks*: for GD&T &  $\pm$
  - *GD&T Wall Charts and PDFs Inch and Metric Versions*

All Books written by Bryan R. Fischer.  
Published by Advanced Dimensional Management Press except as noted.
- **Software**
  - *Tolerance Stackup Software Toolset*
    - Worst-Case/Statistical Reporting Tool
    - Fixed & Floating Fastener Tools
    - Coordinated with books and courses
    - Works with Excel 2003, 2007 and 2010
  - *IDA-STEP Viewer and GD&T Editor*
    - Apply & edit GD&T and PMI on 3D STEP Models
    - Fully Semantic – full data interoperability
    - Supports 3D MBD and 3D MBE implementations
    - Works without a CAD system

© Advanced Dimensional Management LLC, 2011  
IDA-STEP Viewer and GD&T Editor © LKSoftWare GmbH, 2011

### Contact

*For information, proposals and materials.  
We want to be your supplier of choice.*

### Advanced Dimensional Management LLC

16004 SW Tualatin-Sherwood Rd. #163  
Sherwood, Oregon, USA 97140

Phone 1.503.625.2480  
Email [contact@advdm.com](mailto:contact@advdm.com)  
Website [www.advdm.com](http://www.advdm.com)